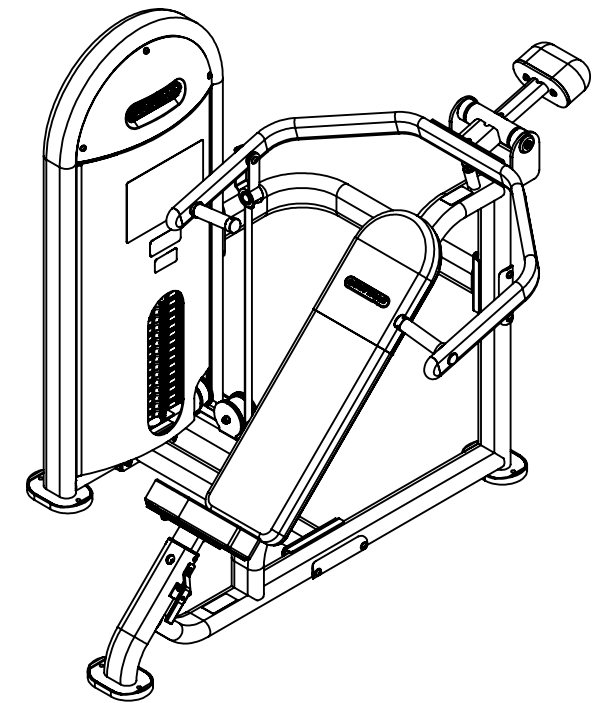
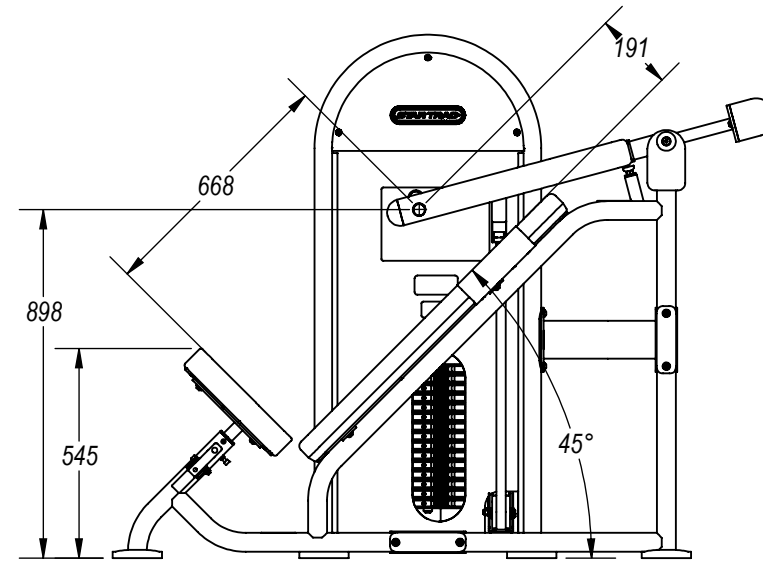
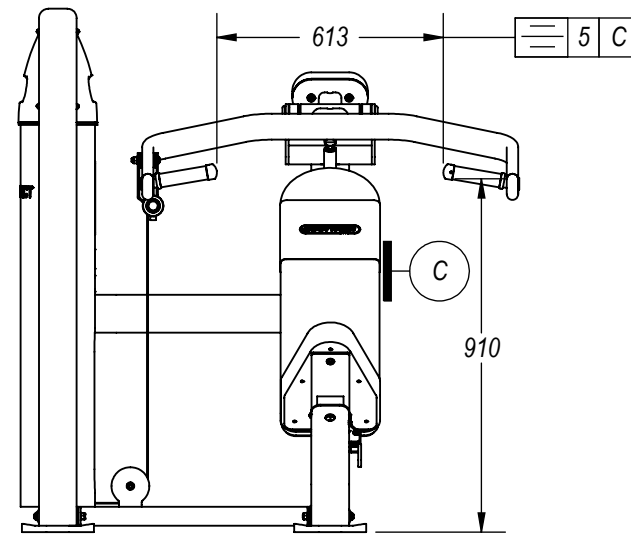
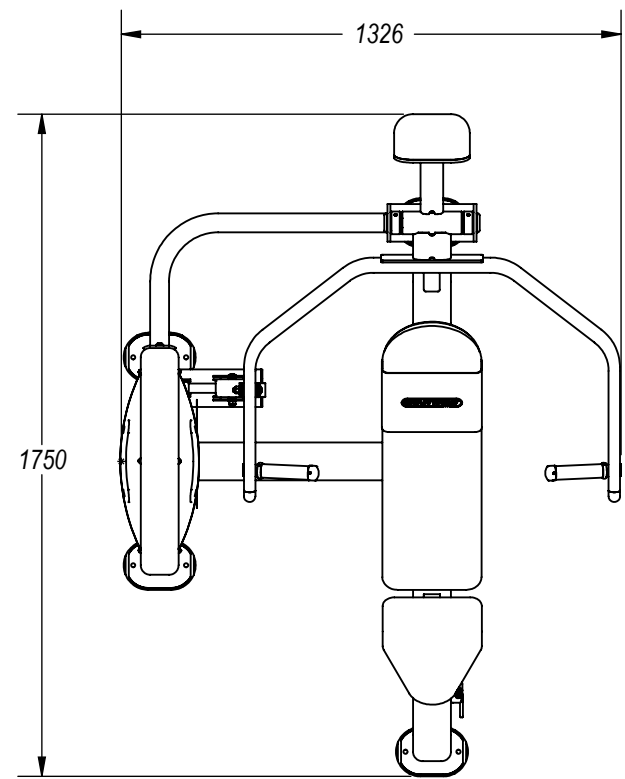


REVISION HISTORY				
REV	DATE	DESCRIPTION	ECO	BY
A	06-25-08	PRODUCTION RELEASE	11956	AK
B	06-23-10	UPDATED 3D MODEL	13343	TZ



NOTICE OF PROPRIETARY INFORMATION
 THIS DOCUMENT SHALL NOT BE REPRODUCED NOR
 SHALL THE INFORMATION CONTAINED HEREIN BE USED
 BY OR DISCLOSED TO OTHER EXCEPT AS EXPRESSLY
 AUTHORIZED BY UNISEN INC. D.B.A. STAR TRAC.

DOCUMENT STATUS:

CLASS OF WORK	UNLESS OTHERWISE SPECIFIED DIMS ARE IN mm. TOLERANCES FOR MEASURE OF LENGTH ARE:							ANGLES = ±2°
	0.5 to 3	> 3 to 6	> 6 to 30	> 30 to 120	> 120 to 400	> 400 to 1000	> 1000 to 2000	
FINE	±0.05	±0.05	±0.1	±0.15	±0.2	±0.3	±0.5	----
MEDIUM X	±0.1	±0.1	±0.2	±0.3	±0.5	±0.8	±1.2	±2
COARSE	±0.2	±0.3	±0.5	±0.8	±1.2	±2	±3	±4
VERY COARSE	----	±0.5	±1	±1.5	±2.5	±4	±6	±8

MATERIAL
SEE BOM

FINISH
 FRAME COLOR: STAR TRAC SILVER (HP FULLER) UPHOLTERY
 COLOR STAR TRAC GREY (SLATE)

VENDOR: **IMPULSE** P/N: **IL-S2301**

THIRD ANGLE PROJECTION



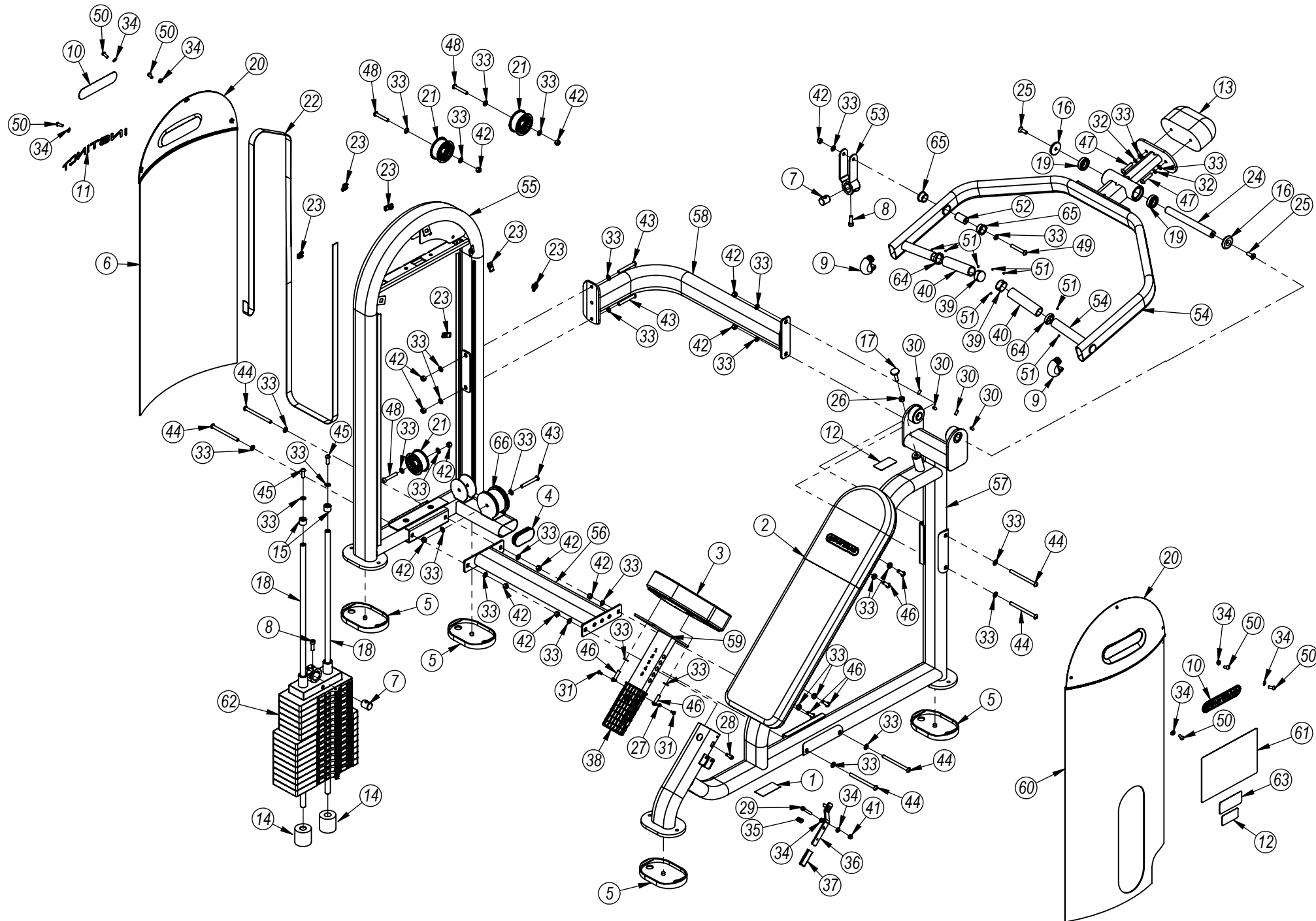
	INITIAL	DATE
DRAWN	TZ	10/13/09
CHECKED		
APPROVED		
	U.O.M.	MM

UNISEN, INC. DBA
STAR TRAC
 14410 Myford Road
 Irvine CA 92606

STARTRAC PART NO	REV
9IL-S2301-13BSS	B
TITLE IL,SSS,INCLINE PRESS,LNL	
SCALE: 1:20	SHEET 1 OF 2 SHEET SIZE: B

9 8 7 6 5 4 3 2 1

J
I
H
G
F
E
D
C
B
A



ITEM NO.	PART NUMBER	DESCRIPTION	QTY.
1	050-2125-02	LABEL, SERAIL NO, INSTINCT	1
2	730-0193	PAD, BACK, SUPPORT, IN-B7201	1
3	730-0194	PAD, SEAT, IN-B7201	1
4	730-0199	CAP, FLAT, ELLIPSE TUBE, 100X50	1
5	730-0216	PAD, FEET, BASE, IN-B7503	4
6	730-0233	SHROUD, REAR, WGT STK, LP	1
7	730-0236	SHAFT, COMPRESS BELT, DIA 27, LEG 33	2
8	730-0237	SCREW, M10X1.5, 30MM, SHCS, HE, SS	2
9	730-0292	CAP, ARMS, IN-S2100	2
10	730-0383	STICKER, STAR TRAC, DECO, 196X45MM	2
11	730-0384	LOGO, INSTINCT	1
12	730-0385	STICKER, CAUTION, PINCH POINT	2
13	730-0550	COUNTERBALANCE, IN-S4100	1
14	730-0562	BUMPER, STACK, 60mm	2
15	730-0565	CAP, RUBBER, ROD GUIDE WT STK	2
16	730-0656	CAP, 50MM OD	2
17	730-0660	BUMPER, LEVERAGE ARM, STOPPER	1
18	730-0662	WEIGHT STACK, GUIDE RAIL	2
19	730-0733	BEARING, OD 47, ID 25, THK 12	2
20	730-0702	SHROUD, TOP, LP	2
21	730-0721	PULLEY ASSY, DIA 76	3
22	730-0778	BLET, INSTINCT	1
23	730-0845	SPEED NUT, U-STYLE CLIP-ON NUT, M8	6
24	730-0846	SHAFT, 25MM X 234	1
25	730-0871	SCREW, M10X30, FHM, HK, SS	2
26	730-0883	NUT, M10, HEX, JAM, SS	1
27	730-0885	NUT, M6, JAM, HEX, SS	2
28	730-0891	SCREW, M8X1.25, 30MM, SHCS, HE, SS	1
29	730-0892	SCREW, M8X1.25, 55MM, SHCS, HE, SS	1
30	730-0896	SCREW, M8X1.25, 16MM, SET, EPS, HE, SS	4
31	730-0899	SCREW, M6X1.0, 12MM, PHMS, SS	2
32	730-0907	WASHER, M10, SPLIT, LOCK	2
33	730-0908	WASHER, PLAIN, M10, SS	36
34	730-0910	WASHER, PLAIN, M8, SS	8
35	730-0911	SPING, COMPRESSION, ADJ, HDL	1
36	730-0930	WELD, HANDLE, EXTENSION, ADJ	1
37	730-0935	GRIP, SQUARE, ADJ HANDLE	1
38	730-0936	ASSY, TUBE, INSERT, SLEEVE	2
39	730-0960	CAP, HANDLE, GRIP, 33MM	2
40	730-0998	LEVERAGE ARM, HANDLE, PVC, GRIP, SLEEVE	2
41	730-1103	NUT, M18X1.25, NYLOC, SS	1
42	730-1104	NUT, M10X1.5, NYLOC, SS	13
43	730-1109	SCREW, M10X1.5, 80MM, BHC, HE, SS	3
44	730-1112	SCREW, M10X1.5, 130MM, BHC, HE, SS	6
45	730-1118	SCREW, M10X1.5, 30MM, BHC, HE, SS	2
46	730-1119	SCREW, M10X1.5, 35MM, BHC, HE, SS	6
47	730-1121	SCREW, M10X45, BHC, SS	2
48	730-1122	SCREW, M10X1.5, 63MM, BHC, HE, SS	3
49	730-1123	BOLT, M10X1.5X70, BHC, SS	1
50	730-1138	SCREW, M8X1.25, 20MM, BHC, HE, SS	6
51	730-1155	SCREW, 10-32X3.2, SET	8
52	730-1273	SPACER, Ø 25.4/10.5X45	1
53	730-1274	ASSY, PIVOT, BELT, ANCHOR	1
54	730-1275	U-SHAPE, HANDLE, IN-S2301	1
55	730-1276	WEIGHT STACK, FRAME	1
56	730-1277	CROSSBEAM, LOWER, FRAME	1
57	730-1278	ASSY, MAIN FRAME	1
58	730-1279	CROSSBEAM, UPPER, FRAME	1
59	730-1280	ADJUSTMENT, SEAT, POST, IN-S2301	1
60	730-1332	SHROUD, LNL, S2301	1
61	730-1366	PLACARD, INSTRUCTION, IN-S2301	1
62	730-1399	WSA-LNL, 180LB, 15H	1
63	730-1491	LABEL, INSTRUCTIONS, LOCK N LOAD	1
64	730-1708	STOPPER RING, HANDLE	2
65	730-2083	BUSHING, 1.0, BRONZE	2
66	730-2120	PULLEY ASSY, BELT, BIG, DIA 88	1

UNISEN, INC. DBA 14410 Myford Road
Irvine CA 92606



STARTRAC PART NO
9IL-S2301-13BSS REV **B**
TITLE
IL, SSS, INCLINE PRESS, LNL
SCALE: 1:18 | SHEET 2 OF 2 | SHEET SIZE: B

9 8 7 6 5 4 3 2 1